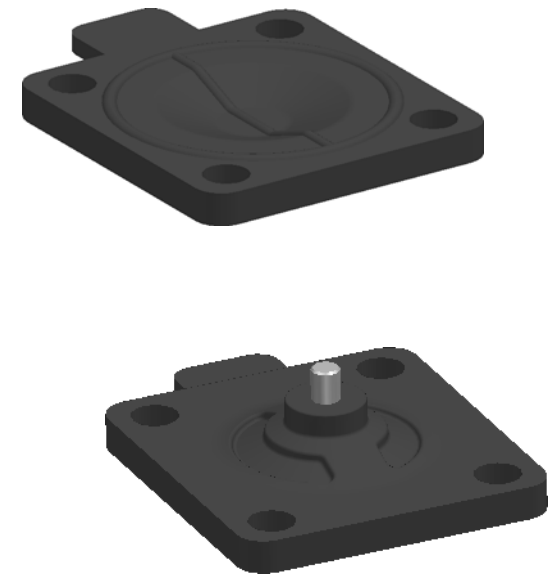
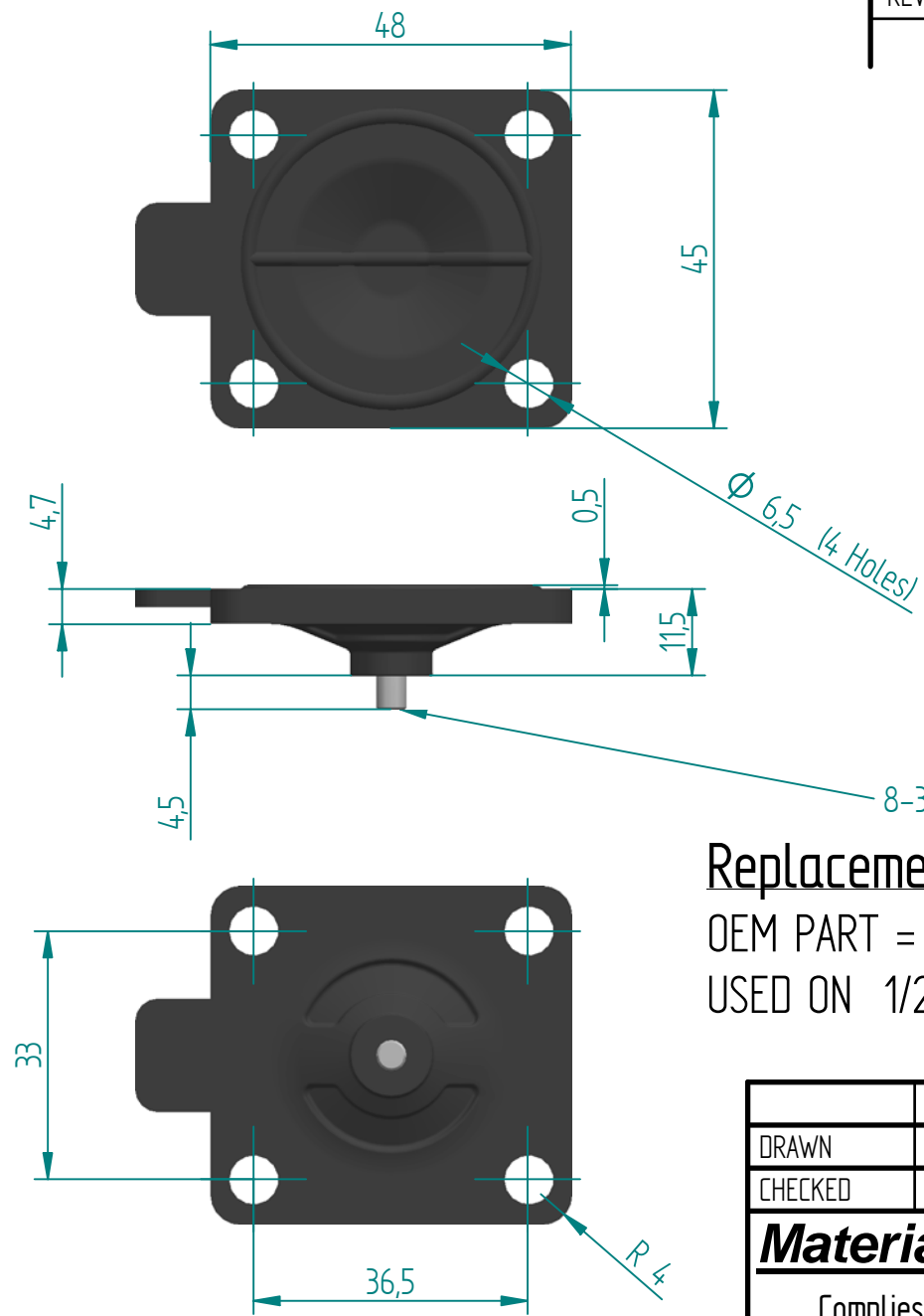


REVISION HISTORY

REV	DESCRIPTION	DATE	APPROVED



Replacement Diaphragm for :-
 OEM PART = 1P8 With Threaded Connection
 USED ON 1/2" (DN15) Diaphragm Valve

Disclaimer - Diaphragm Direct® does not manufacture, represent, nor sell OEM valves or diaphragms manufactured by any other company. Diaphragm Direct® brand diaphragms are not sponsored by any other manufacturers. Any name, model, part number, brand, image, material or referral is for descriptive purposes only. Diaphragm Direct® brand replacement diaphragms are guaranteed to fit OEM equipment and meet or exceed OEM specifications. Diaphragm Direct® brand replacement diaphragms are covered by the standard Diaphragm Direct® limited product warranty.

	NAME	DATE	
DRAWN	M.MC KEON	07/15/18	
CHECKED	M.MC KEON	07/15/18	
Material - EPDM			TITLE
Complies with CFR 177.2600 and Conforms to USP Class VI Biological Reactivity Tests Section #87 and #88			DD05-AE7
SIZE	FOOT PRINT DIMENSIONS		REV
A			□
FILE NAME: DD05-AE7.dft			
SCALE: 1 : 1	1633-09-17-4	SHEET 1 OF 1	